



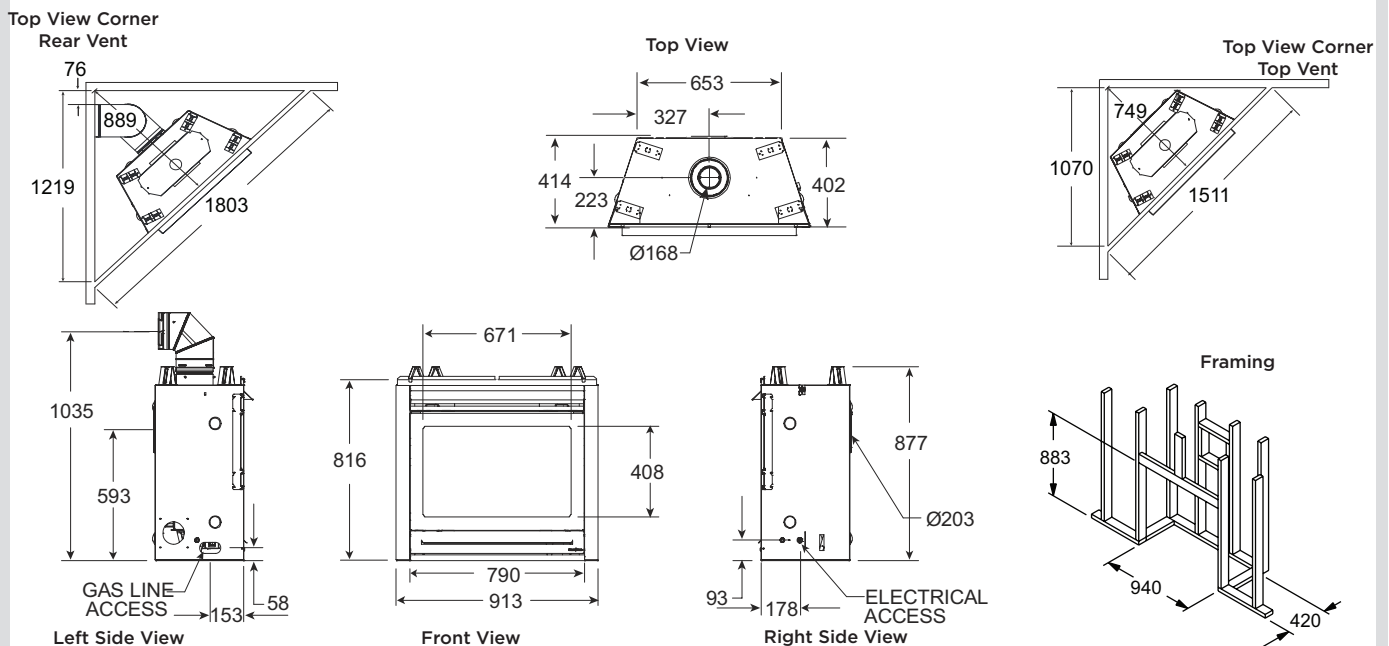
HEAT & GLO
Where everything comes together



550
Balanced Flue Gas Fireplace

550 Specifications

MODEL	HEIGHT		FRONT WIDTH		BACK WIDTH		DEPTH		VIEWING AREA	mJh INPUT			kWh OUTPUT								
	Actual	Framing	Actual	Framing	Actual	Framing	Actual	Framing		NG	28	NG	5.9	LPG	26	LPG	5.5	BG	26	BG	5.5
550TRSI-AUE	877	883	913	940	653	940	414	420	670 x 410												



Dimensions above are in millimeters and for reference only. We recommend measuring individual units at installation. Assumes the use of 13mm gyprock.

Refer to installation manual for detailed specifications on installing this product. Heat & Glo reserves the right to update units periodically. The flame and ember appearance may vary based on the type of fuel burned and the venting configuration used. Photos in this brochure may vary in color and dimension [size] from the actual product.

550 Features

- Top or rear venting options provide installation flexibility
- Zero clearance provides ease of installation and cost savings
- IntelliFire ignition system
- Realistic ceramic fiber campfire style logs
- Shallow 415mm depth makes it ideal for small spaces
- Balanced flue technology provides a sealed combustion chamber, maintaining indoor air quality
- Energy saving 78% efficiency with the authenticity of a traditional fire
- Standard dress guard with mesh provides clean lines and safety
- Variable speed fan with auto on/off
- Multifunctional remote provides temperature, flame height and start time control, offering true convenience—never again bend down to start your fireplace
- 170mm top venting/205mm rear venting
- AGA #5666

IntelliFire Ignition System

Our state-of-the-art ignition system eliminates a continuously burning pilot light and supplies backup battery power during a power outage, reducing gas consumption and lowering operating costs. Never again will you manually light a pilot or bend down to start your fireplace.

For complete information and valuable assistance on this model, please contact us at:

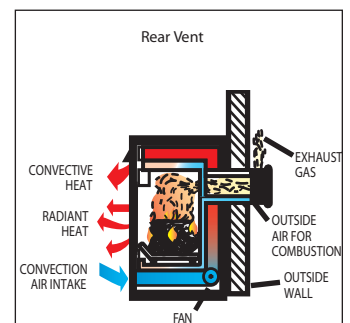
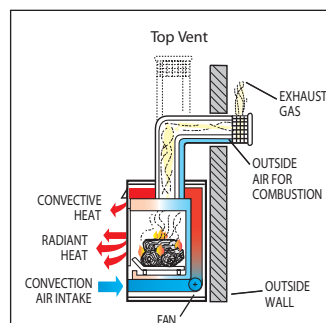
NSW	10 Martin Avenue, Amcliffe	02 9597 7222
NSW	167 Eastern Valley Way, Castlecrag	02 9958 1777
NSW	3/10 Salisbury Road, Castle Hill	02 9680 7279
NSW	2083 Castlereagh Road, Penrith	02 4722 9099
NSW	17A Lyell Street, Mittagong	02 4872 2234
NSW	334 Bruncker Road, Adamstown, Newcastle	02 4952 9299
QLD	121 Brunswick Street North, Fortitude Valley	07 3252 7133
SA	19 Marlow Road, Keswick, Adelaide	08 8371 1222

Convenient Operation

Operate the fireplace, adjust the flame height and view the current room temperature all from the comfort of your chair. Whether you wish to have the fire greet you in the morning for that first cup of coffee or warm the room prior to your arrival home at night, simply program the start time and temperature—the Deluxe remote will do the rest. To protect the little ones, each remote is equipped with a child safety start and a wall bracket should you wish to locate the remote out of reach.

Balanced Flue Gas Fireplace

A completely sealed system, Heat & Glo balanced flue gas fireplaces draw 100% of combustion air from the outdoors and exhaust all combustion byproducts back outside, with no affect on indoor air quality. In addition, cold air drafts are eliminated and heat output is maximized. No electricity, power venting or fan are required to operate, eliminating the need for a conventional chimney, and allowing for installation in nearly any room of the home. TR technology, another Heat & Glo invention, allows for venting off the top or rear, providing even greater placement flexibility.



HEAT & GLO

www.jetmaster.com.au