

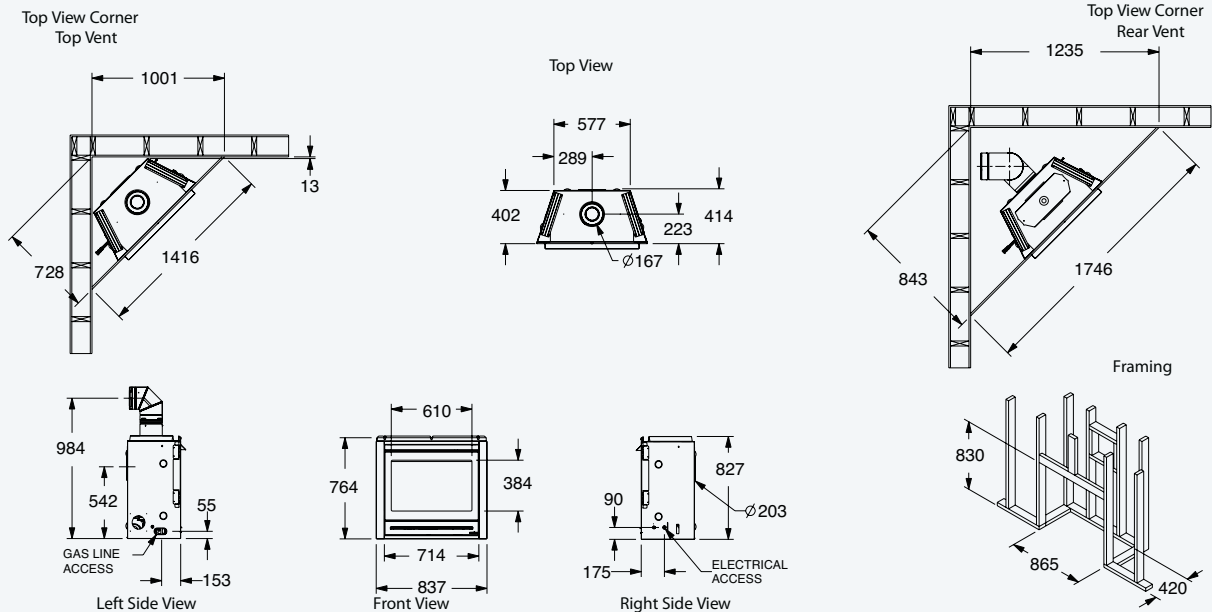


**HEAT & GLO™**  
Where everything comes together



**350**  
Balanced Flue Gas Log Fireplace

MODEL	HEIGHT		FRONT WIDTH		BACK WIDTH		DEPTH		VIEWING AREA	mJh INPUT	kWh OUTPUT
350TRSI-AUE	Actual Framing		Actual	Framing	Actual	Framing	Actual	Framing	610 x 385	NG 21	NG 4.5
	827	832	837	865	577	865	414	420		LPG 20	LPG 4.3
										BG 17	BG 3.7



Dimensions above are in millimeters and for reference only. Refer to installation manual for detailed specifications on installing this product.

### 350 features

- Top or rear venting options provide installation flexibility
- Zero clearance provides ease of installation and cost savings
- IntelliFire Ignition System
- Realistic ceramic fiber campfire style logs
- Shallow 415mm depth makes it ideal for small spaces
- Balanced flue technology provides a sealed combustion chamber, maintaining indoor air quality
- Variable speed fan with auto on/off
- Multi-function remote provides temperature, flame height and start time control, offering true convenience - never again bend down to start your fireplace
- Energy saving 77% efficiency with the authenticity of a traditional fire
- Standard dress guard with mesh provides clean lines and safety
- 170 mm top venting/205 mm rear venting
- AGA #5666

### IntelliFire Ignition System

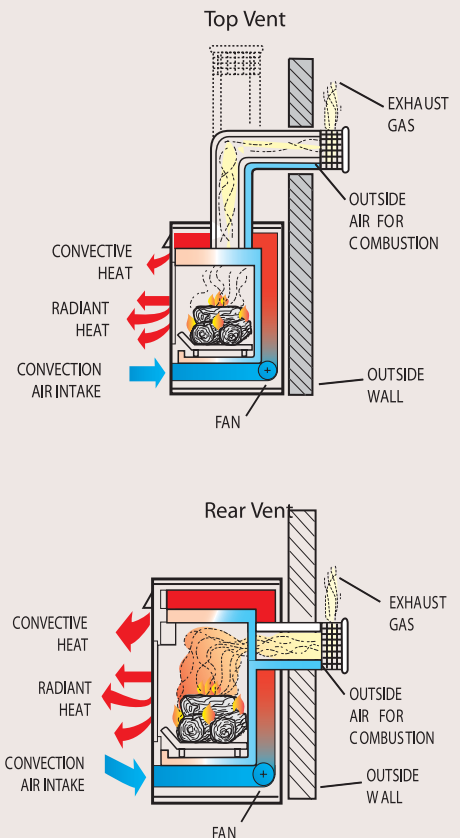
Our state of the art ignition system eliminates a continuously burning pilot light and supplies back-up battery power during a power outage, reducing gas consumption and lowering operating costs. Never again will you manually light a pilot or bend down to start your fireplace.

### Convenient Operation

Operate the fireplace, adjust the flame height and view the current room temperature all from the comfort of your chair. Whether you wish to have the fire greet you in the morning for that first cup of coffee or warm the room prior to your arrival home at night, simply program the start time and temperature - the Deluxe remote will do the rest. To protect the little ones, each remote is equipped with a child safety start and a wall bracket should you wish to locate the remote out of reach.

### Balanced Flue Gas Fireplace

A completely sealed system, Heat & Glo balanced flue gas fireplaces draw 100% of combustion air from the outdoors and exhaust all combustion byproducts back outside, with no affect on indoor air quality. In addition, cold air drafts are eliminated and heat output is maximised. No electricity, power venting or fan are required to operate, eliminating the need for a conventional chimney, and allowing for installation in nearly any room of the home. TR technology, another Heat & Glo invention, allows for venting off the top or rear, providing even greater placement flexibility.



For further information contact your nearest Jetmaster showroom.

<b>NSW</b>	10 Martin Ave, Arncliffe	02 9597 7222	<b>QLD</b>	121 Brunswick St North, Fortitude Valley	07 3252 7133
<b>NSW</b>	167 Eastern Valley Way, Castlecrag	02 9958 1777	<b>VIC</b>	444 Swan St, Richmond	03 9429 5573
<b>NSW</b>	3/10 Salisbury Rd, Castle Hill	02 9680 7279	<b>SA</b>	19 Marlow Rd, Keswick, Adelaide	08 8371 1222
<b>NSW</b>	5 Coombes Dve, Penrith	02 4722 9099	<b>WA</b>	277 Lord St East, Perth	08 9228 2600
<b>NSW</b>	17A Lyell St, Mittagong	02 4872 2234	<b>EMAIL</b>	sales@jetmaster.com.au	
<b>NSW</b>	334 Bruncker Rd, Adamstown, Newcastle	02 4952 9299	<b>VISIT</b>	www.jetmaster.com.au	



**HEAT & GLO**