

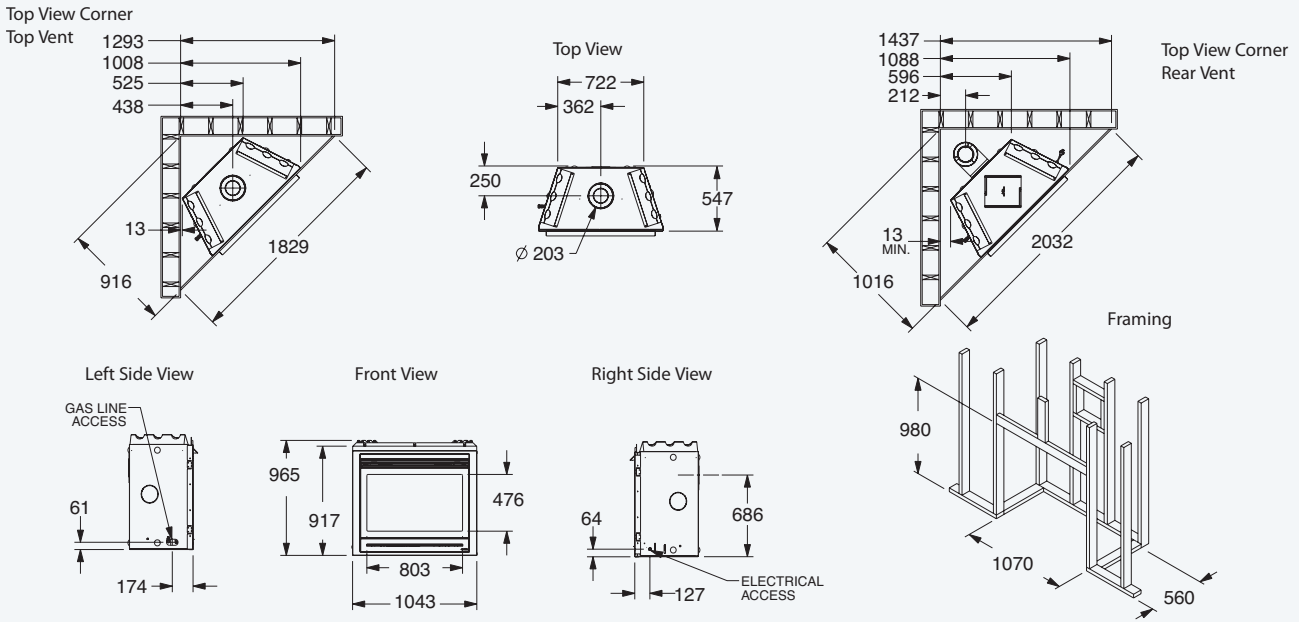


HEAT & GLO™
Where everything comes together



6000 TRS
Balanced Flue Gas Log Fires

MODEL	HEIGHT		FRONT WIDTH		BACK WIDTH		DEPTH		VIEWING AREA	mJh INPUT	kWh OUTPUT
6000TRSI-AUC	Actual Framing		Actual Framing		Actual Framing		Actual Framing		800 x 475	NG 36 LPG 34 BG 30	NG 7.9 LPG 7.5 BG 6.6
	965	980	1043	1070	722	1070	547	560			



Dimensions above are in millimetres and for reference only. Refer to installation manual for detailed specifications on installing this product.

6000 features

- Top or rear venting options provide installation flexibility
- Zero Clearance provides ease of installation and cost savings
- IntelliFire Ignition System
- Variable valve allows you to adjust the flame height and heat output
- Realistic ceramic fiber campfire style logs
- Balanced flue technology provides a sealed combustion chamber, maintaining indoor air quality
- Multi-function remote provides temperature, flame height and start time control, offering true convenience - never again bend down to start your fireplace
- Energy saving 79% efficiency with the authenticity of a traditional fire
- Variable speed fan with auto on/off

- Standard dress guard with mesh provides clean lines and safety
- 205mm top or rear venting
- AGA #5668

IntelliFire Ignition System

Our state of the art ignition system eliminates a continuously burning pilot light and supplies back-up battery power during a power outage, reducing gas consumption and lowering operating costs. Never again will you manually light a pilot or bend down to start your fireplace.

Convenient Operation

Operate the fireplace, adjust the flame height and view the current room temperature all from the comfort of your chair. Whether you wish to have the fire greet you in the morning for that first cup of coffee or warm the room prior to your arrival

home at night, simply program the start time and temperature - the Deluxe remote will do the rest. To protect the little ones, each remote is equipped with a child safety start and a wall bracket should you wish to locate the remote out of reach.

Balanced Flue Gas Fireplace

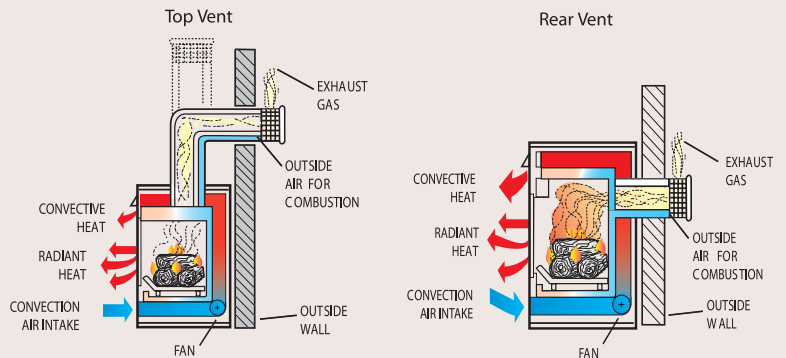
A completely sealed system, Heat & Glo balanced flue gas fireplaces draw 100% of combustion air from the outdoors and exhaust all combustion byproducts back outside, with no affect on indoor air quality. In addition, cold air drafts are eliminated and heat output is maximised. No electricity, power venting or fan are required to operate, eliminating the need for a conventional chimney, and allowing for installation in nearly any room of the home. TR technology, another Heat & Glo invention, allows for venting off the top or rear, providing even greater placement flexibility.



6000AUC into cabinet



6000AUC with square pattern fascia and Richmond mantelpiece



For further information contact your nearest Jetmaster showroom.

NSW 10 Martin Ave, Arncliffe
NSW 167 Eastern Valley Way, Castlecrag
NSW 3/10 Salisbury Rd, Castle Hill
NSW 5 Coombes Dve, Penrith
NSW 17A Lyell St, Mittagong
NSW 334 Bruncker Rd, Adamstown, Newcastle

02 9597 7222
 02 9958 1777
 02 9680 7279
 02 4722 9099
 02 4872 2234
 02 4952 9299

QLD 121 Brunswick St North, Fortitude Valley
VIC 444 Swan St, Richmond
SA 19 Marlow Rd, Keswick, Adelaide
WA 277 Lord St East, Perth
EMAIL sales@jetmaster.com.au
VISIT www.jetmaster.com.au

07 3252 7133
 03 9429 5573
 08 8371 1222
 08 9228 2600

